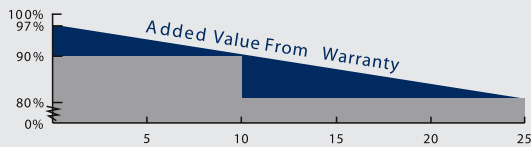


Polycrystalline Solar Module  
FE-240P Series-230/235/240/245/250  
Number of Cells: 60 (6") | Dimensions: 1650 x 992 x 40/45 mm

## PRODUCT ADVANTAGE

- ◆ High module conversion efficiency: With our cutting-edge manufacturing technology, module conversion efficiency reaches up to 15.3%.
- ◆ Multiple performance tests: Full output power tests, ELED tests and frame seal tests for each panel.
- ◆ Fire Energy Junction box: IP65 rated junction box (approved by TUV and UL) improves module performance.
- ◆ Delivery inspection: Specific inspection report comes with Bill of Lading for the client.
- ◆ Tracking availability: Unique identity code for each panel makes tracking easy.

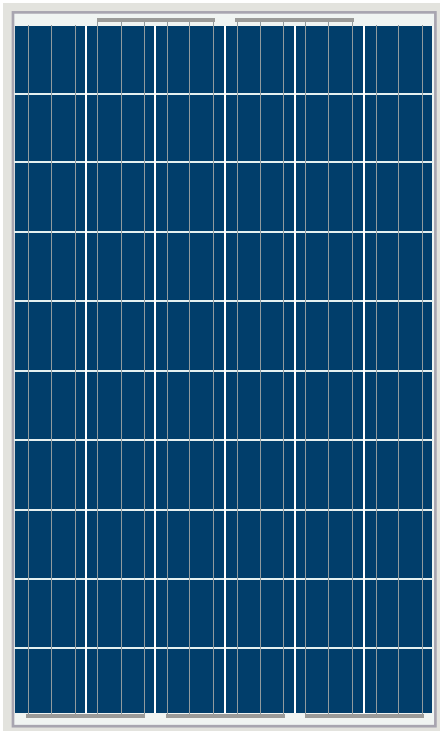
### Linear Power Warranty



25 year linear power output warranty  
12 year product warranty on materials and workmanship



*\*Please refer to Fire Energy Warranty Terms for details.*



## PRODUCT APPLICATION

- ◆ On-grid and off-grid residential roof-tops
- ◆ On-grid and off-grid commercial/industrial roof-tops
- ◆ Rural area applications
- ◆ Solar power stations
- ◆ Other on-grid and off-grid applications

## QUALITY CERTIFICATIONS

IEC 61215, IEC 61730, MCS, conformity to CE, CERES



## ELECTRICAL DATA

	FE-230P	FE-235P	FE-240P	FE-245P	FE-250P
Maximum Power at STC (Pmax)	230 W	235 W	240 W	245 W	250 W
Optimum Operating Voltage (Vmp)	29.6 V	29.8 V	30.0 V	30.2 V	30.48 V
Optimum Operating Current (Imp)	7.78 A	7.89 A	8.01 A	8.12 A	8.22A
Open Circuit Voltage (Voc)	36.8 V	36.9 V	37.2 V	37.4 V	37.79 V
Short Circuit Current (Isc)	8.35 A	8.47 A	8.56 A	8.69 A	8.78 A
Module Efficiency	14,10%	14,40%	14,70%	15,00%	15,27%
Operating Module Temperature	-40~85°C for 200 cycles				
Maximum System Voltage	1000 V				
Power tolerance	0 ~+ 5 W				

STC: Irradiance 1000 W/m<sup>2</sup>, modules temperature 25°C, AM= 1.5 ;

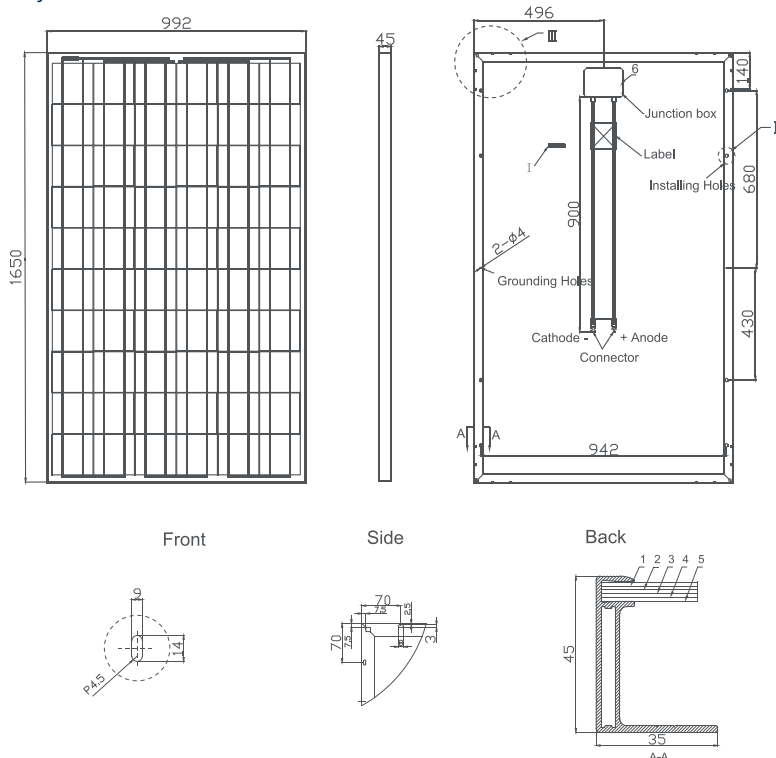
## MECHANICAL DATA

Solar cell	Polycrystalline 156 × 156 mm (6 inches)
Number of Cells	60 (6 × 10)
Dimensions	1650 × 992 × 40 mm   1650 × 992 × 45 mm
Weight	19,0 kg   19,5 kg
Frame	Anodized aluminium alloy
Junction box	IP65 rated
Cable size	4.0 mm <sup>2</sup>

## TEMPERATURE CHARACTERISTICS

Power temperature coefficient	-0.43%/°C
Current temperature coefficient	+0.04%/°C
Voltage temperature coefficient	-0.30%/°C
Ambient temperature	45 ± 2°C
Surface Maximum Load Capacity	5400 Pa
Max. hailstone impact (mass/velocity)	7.53g / 23m/s
Maximum wind resistance	130 km/h

## Physical Characteristics

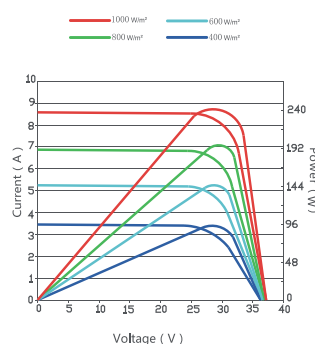


## PACKING CONFIGURATION

	1650 x 992 x 40 mm	1650 x 992 x 45 mm
Container	40' GP	40' GP
Pieces per pallet	26	21
Pallet per container	26	28
Pieces per container	676	588

## Electrical Characteristics

Current-Voltage & Power- Voltage Curves (240 W)



## Temperature Dependence of Isc, Voc and Pmax

